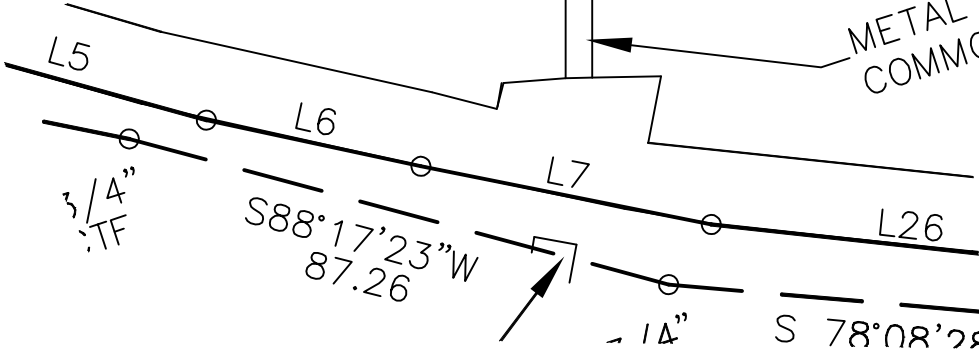


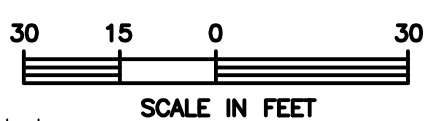
WOODEN  
FLOATING  
DOCK "H"  
COMMON AREA

METAL RAMP  
COMMON AREA



DOCK H SLIP NO.	AREA SQ. FEET	LENGTH FEET
1	648	36.5
2	664	36.5
3	664	36.5
4	653	36.5
5	649	36.5
6	639	36.5
7	653	36.5
8	673	36.4
9	673	36.4
10	650	36.6
11	665	36.5
12	665	36.5
13	649	36.5
14	652	36.5
15	647	36.5
16	650	36.5
17	670	36.4
18	673	36.4
H-T	2430	81.0

AVERAGE DOCK WIDTHS:  
MAIN CENTER DOCKS ARE 8 FEET WIDE  
FINGER DOCKS ARE 4 FEET WIDE  
END DOCKS ARE 6 FEET WIDE



V:\1703chr\active\170304019\ld\04019\dwg\04019-docks.dwg  
2005-03-17 01:44PM By: adawkins

DECEMBER 2004  
170304019

ORIGINAL SHEET - LEGAL



**Stantec Consulting Services Inc.**  
990 Morrison Drive  
Charleston SC U.S.A.  
29403  
Tel. 843.577.4926  
Fax. 843.723.0440  
www.stantec.com

Client/Project  
PREPARED FOR BOHICKET YACHT CLUB, LLC  
BOHICKET MARINA VILLAGE  
TOWN OF SEABROOK ISLAND, CHARLESTON CO., S.C.  
Figure No.  
Title  
**DOCK H - SECTION 1**